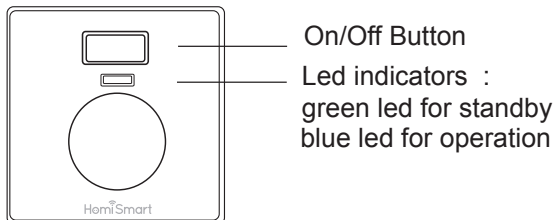


ELECTRICAL INWALL EU SOCKET

Model No. HS-EU-IWSO86

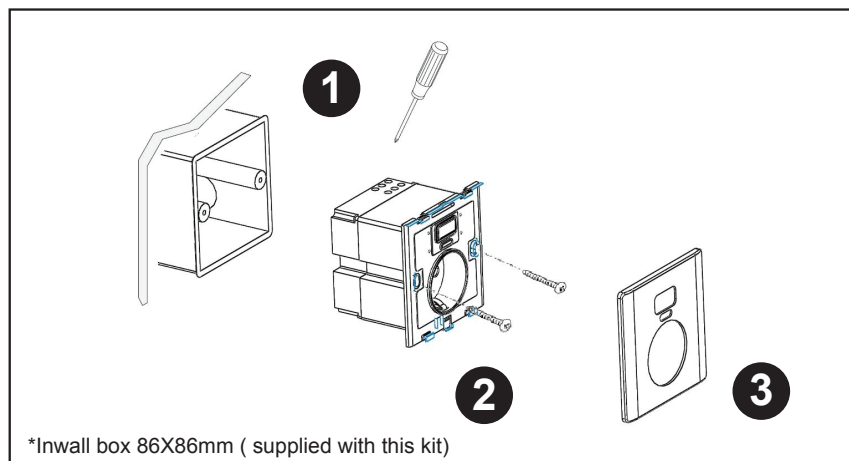
*pay attention this item requires electrician to do the wiring !
Always disconnect power before installation

Overview :

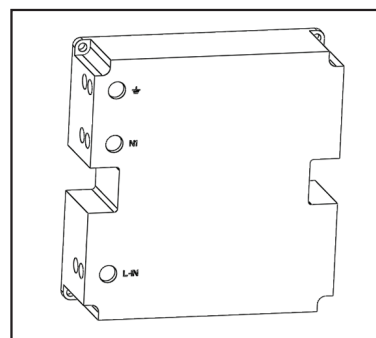


Installation stages:

Before you start the installaton stage take a picture,scan or note the SN and Password of your socket



1. Screw the 6 screws for electrical Wire/cable connection
pay attention to connect acording to the signs behind the back cover



wiring instructions are:

Ground / N1 / L in

2. Screw the socket to inwall box 86X86mm using two screws
3. After assembly insert the front cover with click.
4. Continue with Homismart App to connect & control your socket