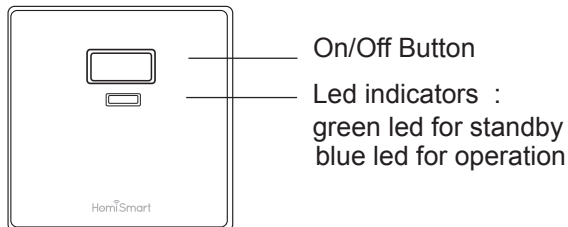


ELECTRICAL INWALL REGULAR/BOILER SWITCH

Model No. HS-EUIL-BRS86

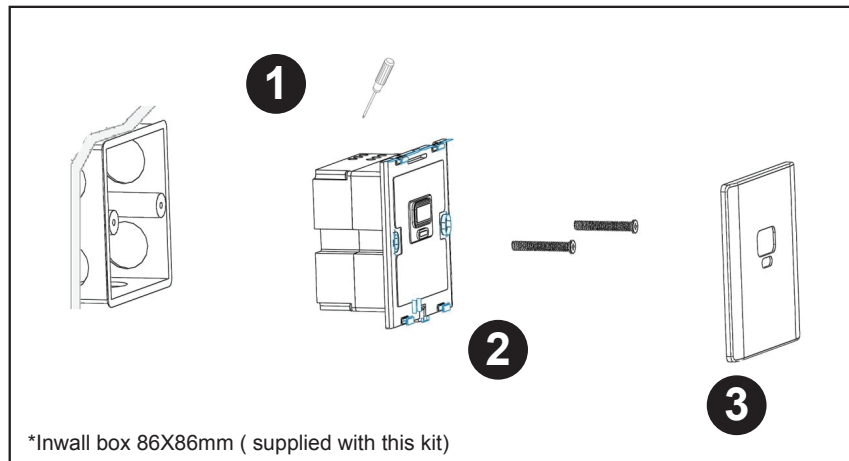
*pay attention this item requires electrician to do the wiring !
Always disconnect power before installation

Overview :

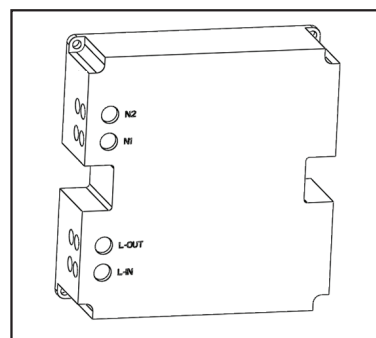


Installation stages:

Before you start the installaton stage take a picture,scan or note the SN and Password of your switch.



1. Screw the 6 screws for electrical Wire/cable connection
pay attention to connect acording to the signs behind the back cover



wiring instructions are:
N2 / N1 / Lin / Lout

2. Screw the switch to inwall box 86X86mm using two screws
3. After assembly insert the front cover with click.
4. Continue with Homismart App to connect & control your switch.